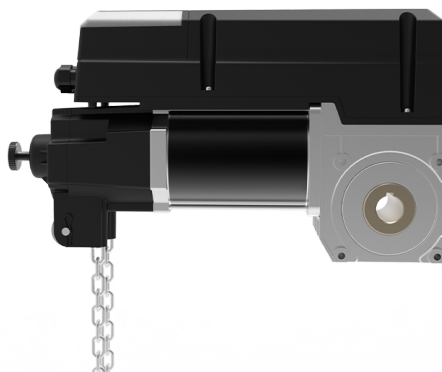
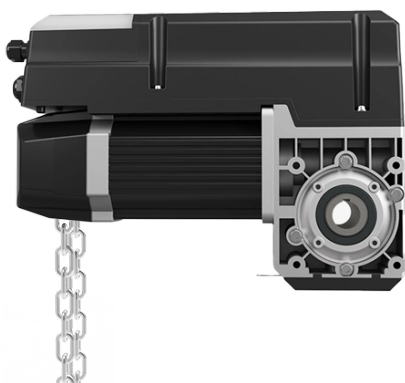
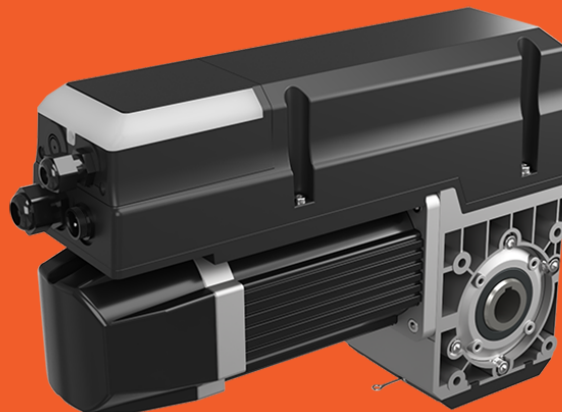


CUBE 50/70

NEW MOTORS
FOR INDY DOORS



CUBE 50

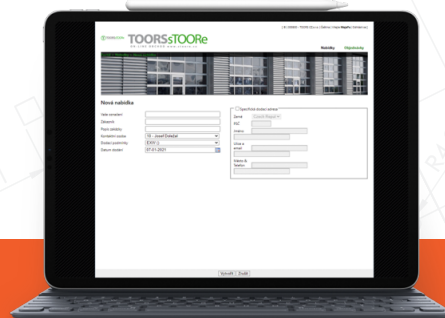
CUBE 70

- Industrial motor
- Emergency chain operation
- Protection of bottom edge with light barrier incl. connection box and cable
- 24V DC Technology
- SoftStart and SoftStop function
- For doors with max area 12m²

- Industrial motor
- Emergency chain operation
- Protection of bottom edge with light barrier incl. connection box and cable
- 24V DC Technology
- SoftStart and SoftStop function
- **For doors with max area 20m²**
- **Higher torque moment**

Motor unit

- Readable two-digit display
- Easy operating
- Connection to all accessories
- Identical for both motors



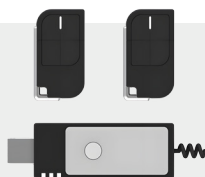
Online door
configurator
www.stoore.cz

Parameters	CUBE 50	CUBE 70
Max. output torque	50 nm	70 nm
Rated output torque	35 nm	50 nm
Door area	12 m ²	20 m ²
Input voltage	400V 50Hz (230V 50Hz)	400V 50Hz (230V 50Hz)
Control system	24V DC	24V DC
Motor power	0.45 KW	0.55 KW
Static holding torque	400 nm	400 nm
Max. output speed	24 RPM – 32 RPM	24 RPM – 32 RPM
Shaft diameter	Ø 25.4 mm	Ø 25.4 mm
Thermal protection temperature	105 °C	105 °C
Continuous sound pressure level	<70 DB	<70 DB
Max. cycles per hour	20	20
IP protection class	IP54	IP54
Temperature range	-20 °C ~ 60 °C	-20 °C ~ 60 °C
Standard kit	Motor with control unit	Motor with control unit
Quick release with rope	Inclusive (2 m + 2 m)	Inclusive (2 m + 2 m)
Emergency chain operation	Inclusive (2,5 m + 2,5 m)	Inclusive (2,5 m + 2,5 m)
Light barrier with spiral cable	Inclusive (up to 8 m door width)	Inclusive (up to 8 m door width)

ACCESSORIES



Chain prologation including chain links



Transmitter and receiver for remote control



Emergency stop for the cover of the control box



Connection cable between the motor and the control box (6 m to 10 m)



Emergency cable prologation (4 m up to 8 m)



Prologation of the power supply cable (3,5 m up to 8 m)